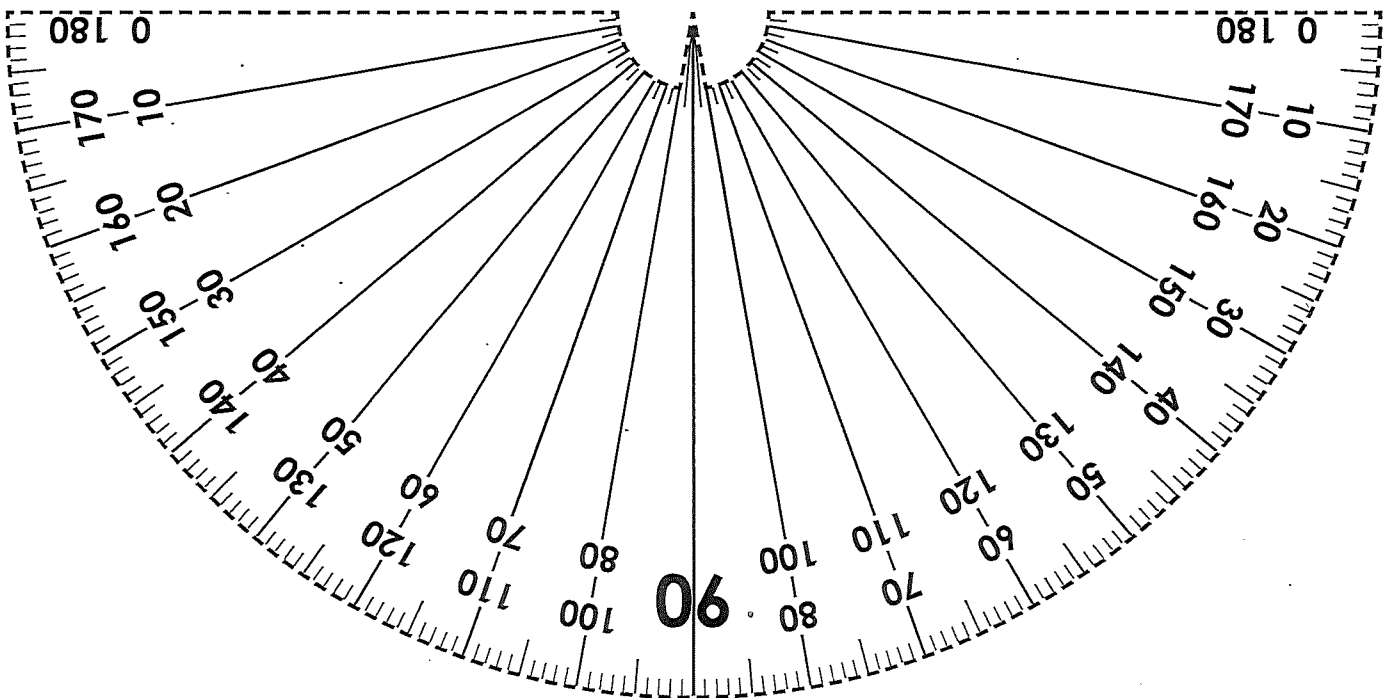
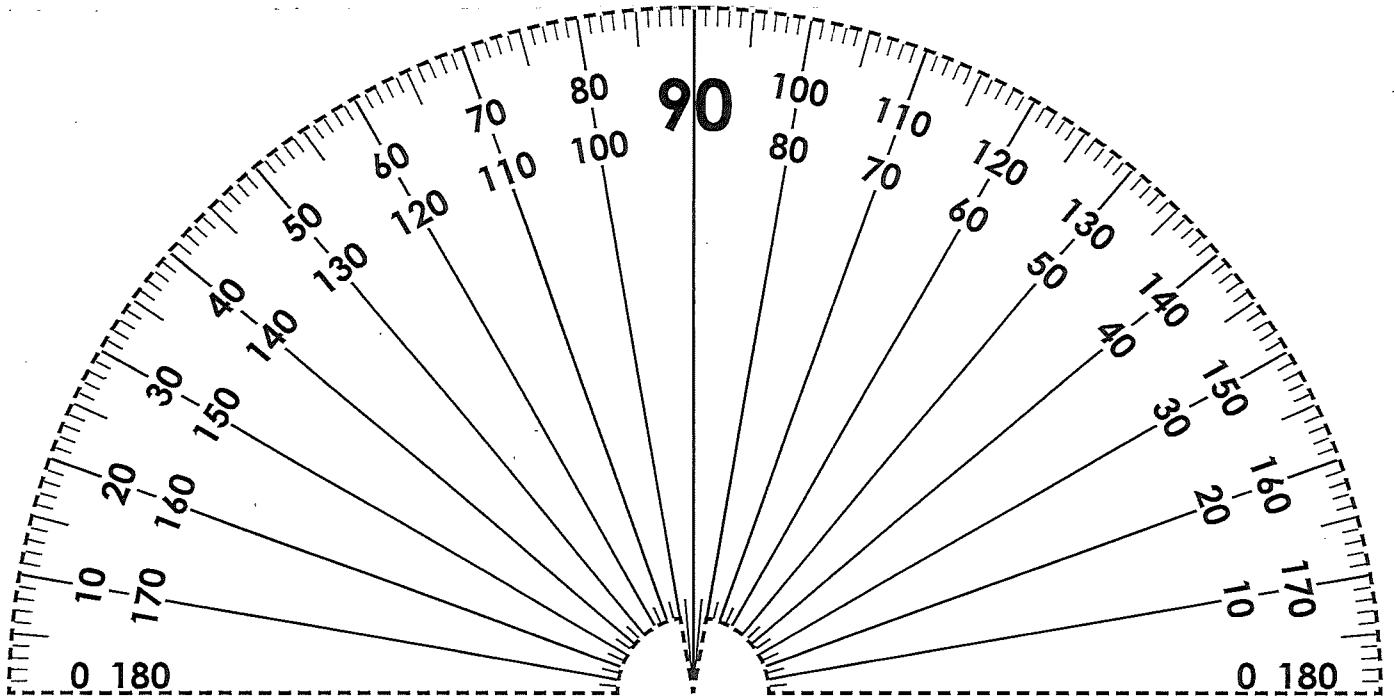


# Printable Protractor

Cut out the protractor along the dashed line.

Leave the point in the center to line up the vertex of the angle.



Cut out the protractor along the dashed line.

Leave the point in the center to line up the vertex of the angle.